

Adjustable Angle



BIMETAL THERMOMETERS



B85606 shown

- ▶ 3", 5" Dial Size
- ▶ ± 1.0% Full Scale Accuracy
- ▶ Stainless Steel Case & Stem
- ▶ External Reset

Specifications

Models	Dial Sizes
B836	3"
B856	5"
Case	300 stainless steel, hermetically sealed
Stem	300 stainless steel 1/4" diameter
Coil	Bimetallic, silicone dampened on ranges to 300°F (148°C), above 300°F not dampened
Connection	Adjustable angle, 1/2 NPT
Window	Double strength glass
Pointer	Balanced, black finish
Dial Face	Aluminum, white background with black and blue graduations and markings
External Reset	Yes
Accuracy	±1.0 % Full Scale ASME B40.3 Grade A
Approximate Shipping Weight	
	B836: 1.1 lbs [0.5 kg] B856: 1.5 lbs [0.68 kg]

The Trerice **Adjustable Angle Bimetal Thermometer** can be configured to the most desirable viewing angle. This instrument has a hermetically sealed, stainless steel case designed to withstand the rigors of industrial environments, while producing an accurate, responsive measurement.

- Optional features available: Please consult the Options & Accessories Section for details.

Thermowell

- For corrosive or pressure applications, use of a thermowell is recommended to prevent damage to the thermometer and facilitate its removal from the process (refer to pages 155-161). For correct use and application of all Bimetallic thermometers, please refer to the Bimetallic Actuated Thermometer Standard ASME B40.3.

HOW TO ORDER

Sample Order Number: **B856 06 05**

Model	Stem (Length)	Range Code
B836	02 2 1/2" Stem	See Standard Ranges
B856	04 4" Stem	
	06 6" Stem	
	09 9" Stem	
	12 12" Stem	
	15 15" Stem	
	18 18" Stem	
	24 24" Stem	

Other lengths available: Specify in inches (72" maximum)

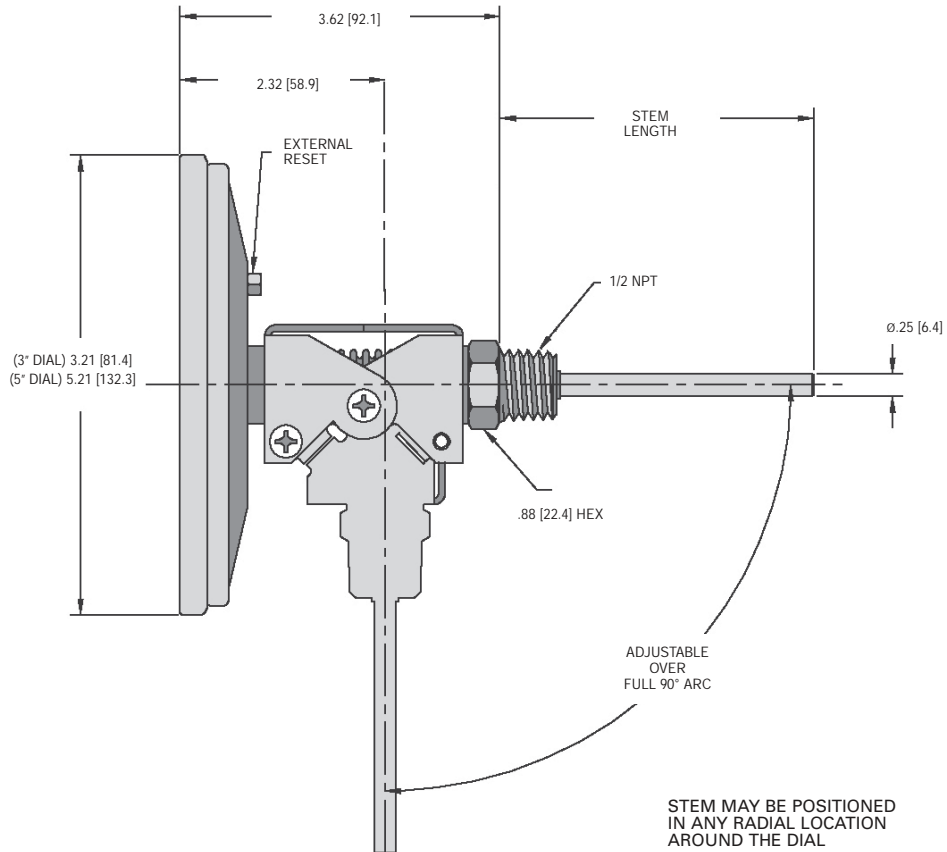
Master Gauge Co.



WHEN UNDER PRESSURE THINK OF US!

1150 W. GRAND AVE. CHICAGO, IL 60642 - TOLL-FREE: 1-800-259-2705 - PHONE: 1-312-666-2705 - FAX: 1-312-666-6458 - MASTERGAUGE.CO.COM

All dimensions are nominal. Dimensions in [] are in millimeters.



BIMETAL THERMOMETERS

Standard Ranges

Dual Scale (Fahrenheit & Celsius Range)		Fahrenheit only Range		Celsius only Range		Fahrenheit		Celsius	
Range Code	Range	Range Code	Range	Range Code	Range	Figure Intervals	Minor Divisions	Figure Intervals	Minor Divisions
01*†	-100° to 100°F & -75° to 40°C	01F*†	-100° to 100°F	01C*†	-75° to 40°C	20°	2°	10°	1°
02	-40° to 160°F & -40° to 70°C	02F	-40° to 160°F	02C	-40° to 70°C	20°	2°	10°	1°
12*†	0° to 100°F & -20° to 40°C	12F*†	0° to 100°F	12C*†	-20° to 40°C	10°	1°	10°	1°
03*†	25° to 125°F & -5° to 50°C	03F*†	25° to 125°F	03C*†	-5° to 50°C	10°	1°	5°	1/2°
04	0° to 200°F & -20° to 95°C	04F	0° to 200°F	04C	-20° to 95°C	20°	2°	10°	1°
05	20° to 240°F & -10° to 115°C	05F	20° to 240°F	05C	-10° to 115°C	20°	2°	10°	1°
27	0° to 250°F & -20° to 120°C	27F	0° to 250°F	27C	-20° to 120°C	50°	2°	20°	2°
06	50° to 300°F & 10° to 150°C	06F	50° to 300°F	06C	10° to 150°C	50°	2°	20°	2°
07	50° to 400°F & 10° to 200°C	07F	50° to 400°F	07C	10° to 200°C	50°	5°	50°	2°
08	50° to 500°F & 10° to 260°C	08F	50° to 500°F	08C	10° to 260°C	50°	5°	50°	2°
09*	150° to 750°F & 50° to 400°C	09F*	150° to 750°F	09C*	50° to 400°C	100°	10°	50°	5°
10*	200° to 1000°F & 100° to 550°C	10F*	200° to 1000°F	10C*	100° to 550°C	100°	10°	100°	5°

* Minimum stem length for these ranges is 4".

† Minimum insertion length for these ranges is 3".

Master Gauge Co.



WHEN UNDER PRESSURE THINK OF US!