



# Bimetal Thermometers Industrial 3", 4", 5" Dial

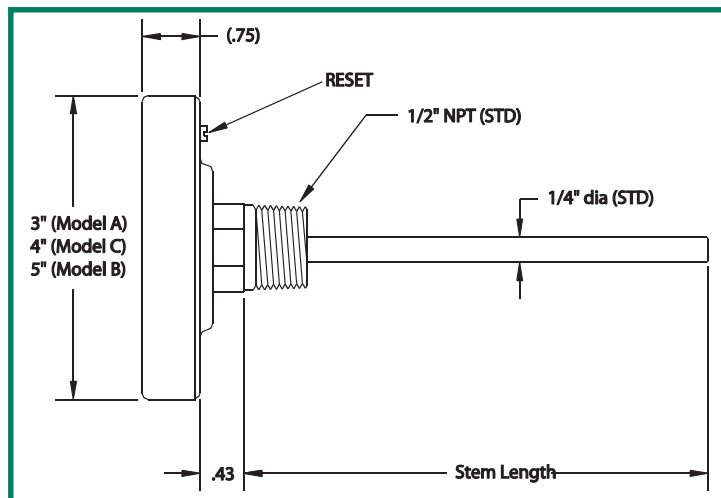
## Back Connected (Angle Form)



REOTEMP Angle Form thermometers are ideal for local, eye-level temperature readings in most process applications.

### Standard Features

- All Stainless Steel Construction
- Hermetically Sealed (ASME B40.3)
- Accurate to 1% of Full Scale
- Standard External Reset
- Silicone Fillable for Vibration



### How to Order

AA

060

1

F43

SF

Models	Stem Length	Connection	Temperature Ranges See pg.13 for a full list.	Options
<b>Standard Models</b>		<b>Standard Threaded*</b>	<b>Fahrenheit Ranges</b>	
<b>AA</b> = Model A (3" dial, reset)	<b>025</b> = 2.5"	<b>1</b> = 1/2" NPT (std.)	<b>F23</b> -40 TO 160°F <b>F55*</b> 25 TO 125°F	<b>PS</b> = Pointed Stem
<b>BB</b> = Model B (5" dial, reset)	<b>040</b> = 4" <b>060</b> = 6"	<b>4</b> = 1/4" NPT <b>5</b> = 3/4" NPT adapter	<b>F43</b> 0 TO 200°F <b>F47</b> 0 TO 250°F <b>F63</b> 50 TO 300°F <b>F67</b> 50 TO 500°F <b>F81</b> 150 TO 750°F <b>F85</b> 200 TO 1000°F	<b>SF</b> = Silicone Fill (max temp 550°F)
<b>CC</b> = Model C (4" dial, reset)	<b>090</b> = 9" <b>120</b> = 12"	<b>X</b> = Plain Hex Bushing (no threads)	<b>Celsius Ranges</b>	<b>SS</b> = 316 SS Stem <b>F3</b> = 3/8" dia. Stem
<b>Non-Reset Models</b>		<b>B</b> = 1/2" BSPT	<b>C23</b> -40 TO 70°C <b>C55*</b> 0 TO 50°C <b>C43</b> 0 TO 100°C <b>C47</b> -20 TO 120°C <b>C59</b> 0 TO 150°C <b>C67</b> 0 TO 250°C <b>C81</b> 0 TO 400°C <b>C85</b> 100 TO 500°C	<b>PC</b> = Acrylic Window <b>PY</b> = Polycarbonate Window <b>TG</b> = Tempered Glass Window
<b>RR</b> = Model R (3" dial, no reset)	<b>150</b> = 15" <b>180</b> = 18"	<b>Sanitary*</b>	<b>Dual F/C Ranges</b>	<b>MM</b> = Max/Min Pointer
<b>SS</b> = Model S (5" dial, no reset)	<b>240</b> = 24"	<b>C</b> = 1-1/2" Tri-Clamp	<b>D23</b> -40 TO 160°F & -40 TO 70°C <b>D55*</b> 25 TO 125°F & 0 TO 50°C <b>D43</b> 0 TO 200°F & 0 TO 100°C <b>D47</b> 0 TO 250°F & -20 TO 120°C <b>D63</b> 50 TO 300°F & 10 TO 150°C <b>D67</b> 50 TO 500°F & 0 TO 250°C <b>D81</b> 150 TO 750°F & 0 TO 400°C <b>D85</b> 200 TO 1000°F & 100 TO 500°C	For Thermowells see pg. 14
<b>CN</b> = Model CN (4" dial, no reset)	<b>300</b> = 30" <b>360</b> = 36"	<b>L</b> = 2" Tri-Clamp <b>M</b> = 3/4" Tri-Clamp		
	-Intermediate lengths available up to 80"  -Specify length in inches + tenths	For more information on Sanitary Thermometers see page 12		
		*Other sizes available		