



# ADJUSTABLE ANGLE BIMETAL THERMOMETERS

## STANDARD FEATURES

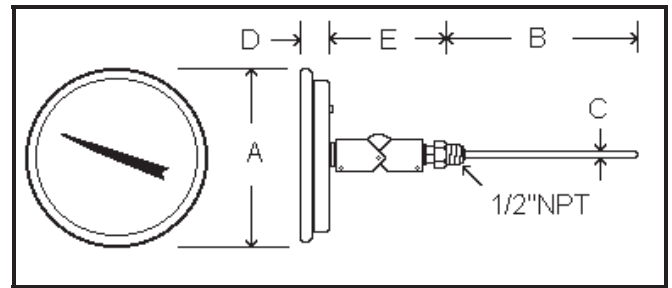
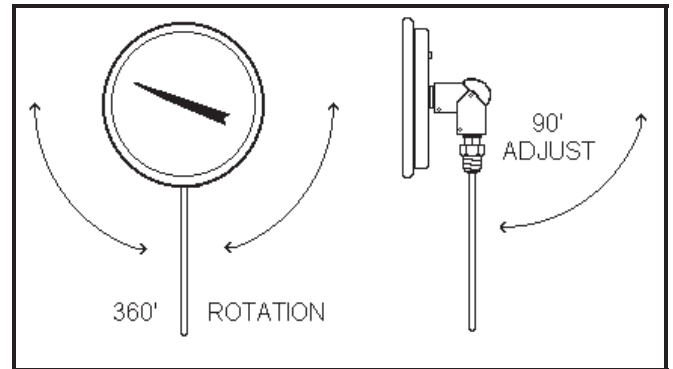
- All Stainless Construction
- Adjustment Screw on Case
- Glass Lens
- Anti-Parallax Dial
- Vibration Resistant (Reduced Needle Flutter)
- Fast Response To Temperature Change
- Hermetically Sealed (Moisture Proof)
- +/- 1 % Full Scale Accuracy
- 316 SS Stem
- Stem Welded at 1/2" NPT Hub



PART NUMBER*	STEM LENGTH*
B5A2	2 1/2"
B5A4	4"
B5A6	6"
B5A9	9"
B5A12	12"
B5A15	15"
B5A18	18"
B5A24	24"

\* For 3" Dial Size change 'B5A' to 'B3A'

STANDARD RANGES*	
CODE	RANGE
AA	-40/120° F & C
BB	-40/160° F & C
EE	0/150° F & C
GG	0/200° F & C
JJ	20/240° F & C
II	0/250° F & C
MM	50/300° F & C
PP	50/400° F & C
RR	50/550° F & C
SS	150/750° F & C
TT	200/1000° F & C



**\*NOTE:**

- 1.) Other ranges, stem lengths and configurations are available upon request.
- 2.) Thermowells of all types and materials of construction available also
- 3.) Please call with any inquiries.

Dial		A	B	C	D	E
5"	IN.	5.13"	STEM LENGTH	1/4"	.67"	3.3"
	MM	130.39	STEM LENGTH	6.45	16.95	83.87
3"	IN.	3.13"	STEM LENGTH	1/4"	.67"	3.3"
	MM	78	STEM LENGTH	6.45	16.95	83.87

**Master Gauge Co.**



**WHEN UNDER PRESSURE THINK OF US!**

1150 W. GRAND AVE. CHICAGO, IL 60642 - TOLL-FREE: 1-800-259-2705 - PHONE: 1-312-666-2705 - FAX: 1-312-666-6458 - MASTERGAUGE.CO.COM