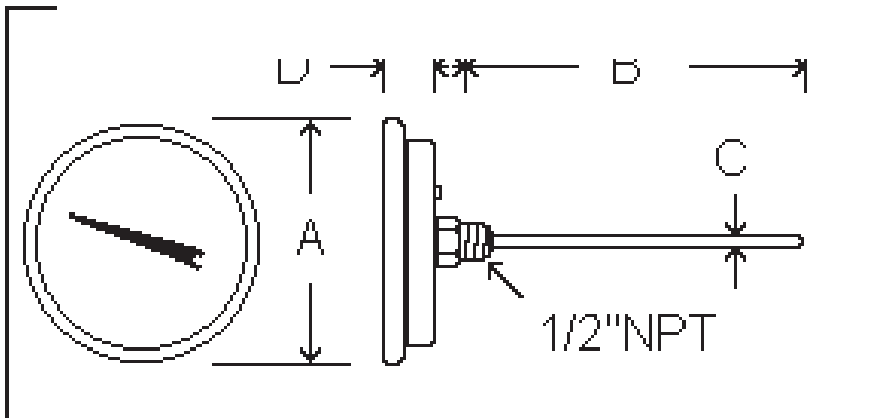


90° BACK ANGLE TYPE

STANDARD FEATURES

- All Stainless Construction
- With Glass Lens
- Anti-Parallax Dial
- Vibration Resistant (Reduced Needle Flutter)
- Fast Response To Temperature Change
- Hermetically Sealed (Moisture Proof)
- +/- 1 % Full Scale Accuracy
- 316SS Stem Material
- Stem Welded To Connection
- Zero Adjustment on Back of Case



STEM LENGTH*	PART NUMBER	
	3" DIAL	5" DIAL
2 1/2"	B3B2	B5B2
4"	B3B4	B5B4
6"	B3B6	B5B6
9"	B3B9	B5B9
12"	B3B12	B5B12
15"	B3B15	B5B15
18"	B3B18	B5B18
24"	B3B24	B5B24

		A	B	C	D	E
3" Dial	IN.	3.18"	STEM LENGTH	.25"	.60"	.38"
	MM	80.78	STEM LENGTH	6.45	15.24	9.76
5" Dial	IN.	5.13"	STEM LENGTH	.25"	.67"	.38"
	MM	130.87	STEM LENGTH	6.45	16.95	9.76

STANDARD RANGES*	
CODE	RANGE
AA	-40/120°F & C
BB	-40/160°F & C
EE	0/150°F & C
GG	0/200°F & C
JJ	20/240°F & C
II	0/250°F & C
MM	50/300°F & C
PP	50/400°F & C
RR	50/550°F & C
SS	150/750°F & C
TT	200/1000°F & C

***Note:**

- Other ranges, stem lengths and configurations are available upon request.
- Thermowells of all sizes and materials of construction are available also.
- Please call with any inquiries.

Master Gauge Co.



WHEN UNDER PRESSURE THINK OF US!