

## MASTER TEST GAUGE (SERIES 'D')

- Knife-Edge Pointer with Mirror Dial
- External Dial Adjustment
- Dial Size: 6"
- Ranges to 10,000 psi

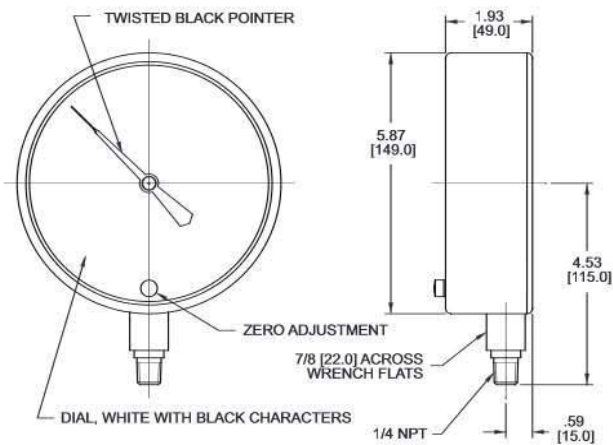
Marsh Master Test Gauges are used in precision laboratory applications and industrial environments where precise accuracy is demanded. For pressure readings to 10,000 psi, Marsh Master Test Gauges offer dependable, consistent accuracy within  $\pm 0.25\%$  of span, meeting all requirements of ASME Grade 3A specifications. The pressure relieving blowout plug provides the increased safety required for potentially dangerous applications.

Typical applications include lab's, universities, automotive testing, government test facilities and pharmaceutical.

### STANDARD RANGES & PART NUMBERS

TYPE	MASTER TEST GAUGES	
Size	6" (160mm)	
Case Material	Stainless Steel	
Internals	Copper Alloy	
Mounting / Case Style	LM	LM
Connection	1/4 NPT	1/2 NPT
Scale Standard	psi	psi
0 to 30" Hg VAC	D31405	
30" Hg VAC to 15 psi	D31410	
30" Hg VAC to 30 psi	D31412	
30" Hg VAC to 60 psi	D31414	
0 to 15 psi	D31440	
0 to 30 psi	D31442	
0 to 60 psi	D31446	
0 to 100 psi	D31448	
0 to 160 psi	D31452	
0 to 200 psi	D31454	
0 to 300 psi	D31458	
0 to 400 psi	D31460	
0 to 600 psi	D31464	
0 to 1,000 psi		D31472
0 to 1,500 psi		D31474
0 to 2,000 psi		D31476
0 to 3,000 psi		D31478
0 to 5,000 psi		D31482
0 to 10,000 psi		D31490

ALL DIMENSIONS ARE NOMINAL



### SPECIFICATIONS

- ACCURACY**  
ASME Grade 3A -  $\pm 0.25\%$  of range across full scale
- CASE SIZE**  
6" (160mm) diameter
- CASE MATERIAL**  
304 Stainless Steel
- CASE STYLE**  
LM-Lower Mount
- TUBE & SOCKET**  
Copper alloy
- MOVEMENT**  
Stainless Steel
- CONNECTION**  
1/4" NPT through 600 psi  
1/2" NPT 1000 psi & above
- RANGES**  
0 to 30" Hg VAC; Compound 30" Hg to 60 psi; 15 to 10,000 psi
- DIAL STANDARD**  
Single scale psi
- DIAL COLOR**  
Black markings on white with mirror dial to avoid parallax
- POINTER**  
Aluminum, black painted, knife-edge
- WINDOW**  
Instrument Glass
- PRESSURE RELIEF**  
Blowout plug
- WEIGHT** 5.0 lb.

### MASTER TEST GAUGE OPTIONS

OPTION	TYPE	SUFFIX	AVAILABLE ON MODELS
Catalog Dials	bar only	L1	Consult Factory
	kg/cm <sup>2</sup> only	L2	
	kPa only	L3	
	MPa only	L4	
	psi & bar	W1	
	psi & kg/cm <sup>2</sup>	W2	
	psi & kPa	W3	
psi & MPa	W4		
Custom Dials	Logo or Custom Face	M	
Window	Acrylic (AY)	F2	
	Safety Glass (SG)	F3	
Tube & Socket	Stainless Steel		