

690 Series

Multiple Stainless Steel Case Styles

COMMERCIAL • CONTRACTOR GAUGES



690B shown



- ▶ 3 1/2" Dial Size
- ▶ ±1.0% Accuracy
- ▶ Polished Stainless Steel Case
- ▶ Multiple Case Styles

Trerice **690 Series** Commercial Gauges are offered in a polished stainless steel case to provide the durability and styling required in OEM and other applications. This gauge is available in a variety of case styles. Wetted parts are a bronze tube with brass socket.

- Optional features available: Please consult the Options & Accessories Section for details.
- For correct use and application of all pressure gauges, please refer to: Pressure Gauge Standard ASME B40.100.

HOW TO ORDER

Sample Order Number: **690B 35 02 L D 110**

Model	Dial Size	Connection Size	Connection Location	Units of Measure	Range Code
690B	35 3 1/2"	02 1/4 NPT	L Lower *	D psi/kPa	See Standard Ranges
691B			B Back **	A psi	
692B				B kPa	
693B					
694B					
696B					

* For Models 690B & 692B only

** For Models 691B, 693B, 694B & 696B only

Specifications

Models	Case Styles
690B	Flangeless, stem mounted with bottom outlet
691B	Flangeless, stem mounted with back outlet
692B	Surface Mounted, back flanged with bottom outlet
693B	Flush Mounted, front flanged with back outlet
694B	Flush Mounted, u-clamp with back outlet
696B	Surface Mounted, back flanged with back outlet

Dial Size	3 1/2"
Wetted Parts	Bronze tube, brass socket
Movement	Brass
Connection	690B, 692B: Lower male, 1/4 NPT 691B, 693B, 694B, 696B: Center back male, 1/4 NPT
Window	Acrylic, snap-in
Pointer	Adjustable, black finish
Dial Face	Aluminum, white background with black graduations and markings
Accuracy	±1.0% Full Scale, ASME B40.100 Grade 1A
Maximum Temperature	150°F (65°C)

Approximate Shipping Weight
690B, 691B, 692B, 696B: 0.6 lbs [0.27 kg]
693B: 0.8 lbs [0.36 kg]
694B: 0.9 lbs [0.41 kg]

Master Gauge Co.

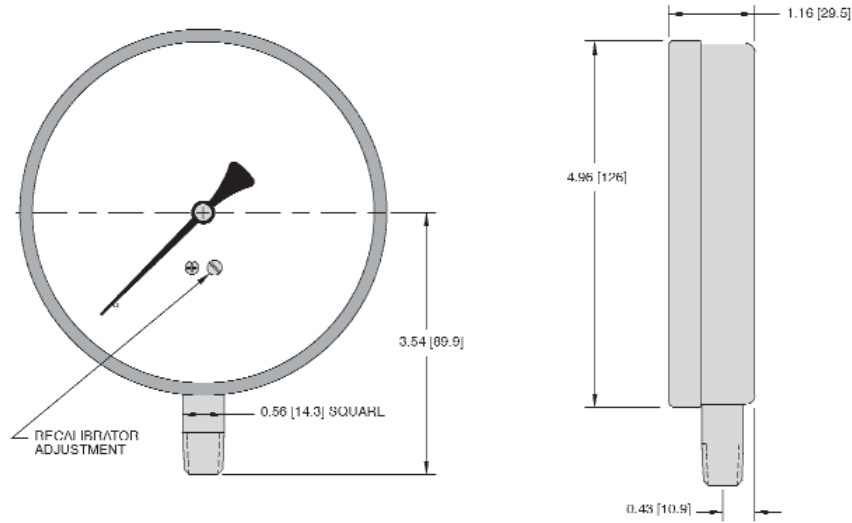


WHEN UNDER PRESSURE THINK OF US!

1150 W. GRAND AVE. CHICAGO, IL 60642 - TOLL-FREE: 1-800-259-2705 - PHONE: 1-312-666-2705 - FAX: 1-312-666-6458 - MASTERGAUGE.CO.COM

All dimensions are nominal. Dimensions in [] are in millimeters.

COMMERCIAL • CONTRACTOR GAUGES



Standard Ranges

psi Ranges (A)				psi/kPa Ranges (D)					
Range Code	Specific Range (psi)	Figure Intervals	Minor Divisions	Range Code	Specific Range	psi		kPa	
						Figure Intervals	Minor Divisions	Figure Intervals	Minor Divisions
010	30" Hg to 0	5	0.2	010	30" Hg to 0 / -100 to 0 kPa	5	0.2	10	1
020	30" Hg to 15 psi	5/5	0.5/0.2	020	30" Hg to 15 psi / -100 to 100 kPa	5/5	0.5/0.2	20	2
030	30" Hg to 30 psi	10/5	1/0.5	030	30" Hg to 30 psi / -100 to 200 kPa	10/5	1/0.5	50	5
040	30" Hg to 60 psi	10/10	1/1	040	30" Hg to 60 psi / -100 to 400 kPa	10/10	1/1	50	5
050	30" Hg to 100 psi	30/10	2/1	050	30" Hg to 100 psi / -100 to 700 kPa	30/10	2/1	100	5
060	30" Hg to 150 psi	30/20	5/2	060	30" Hg to 150 psi / -100 to 1000 kPa	30/20	5/2	100	10
070	30" Hg to 300 psi	30/50	5/2	070	30" Hg to 300 psi / -100 to 2000 kPa	30/50	5/2	200	20
080	0 to 15 psi	3	0.1	080	0 to 15 psi / 0 to 100 kPa	3	0.1	10	1
090	0 to 30 psi	5	0.2	090	0 to 30 psi / 0 to 200 kPa	5	0.2	20	2
100	0 to 60 psi	10	0.5	100	0 to 60 psi / 0 to 400 kPa	10	0.5	50	5
110	0 to 100 psi	10	1	110	0 to 100 psi / 0 to 700 kPa	10	1	100	5
120	0 to 160 psi	20	1	120	0 to 160 psi / 0 to 1100 kPa	20	1	200	10
130	0 to 200 psi	20	2	130	0 to 200 psi / 0 to 1400 kPa	20	2	300	10
140	0 to 300 psi	50	2	140	0 to 300 psi / 0 to 2000 kPa	50	2	200	20
150	0 to 400 psi	50	5	150	0 to 400 psi / 0 to 2800 kPa	50	5	300	50
160	0 to 600 psi	50	5	160	0 to 600 psi / 0 to 4000 kPa	50	5	500	50

Master Gauge Co.



WHEN UNDER PRESSURE THINK OF US!