



500X Series

Dial Sizes thru 12" • Cast Aluminum Case

INDUSTRIAL GAUGES



500XB shown



- ▶ 4 1/2", 6", 8 1/2", 12" Dial Sizes
- ▶ ±0.5% Accuracy
- ▶ Cast Aluminum Case

The Trerice **500X Series** Industrial Gauge is designed to withstand the most demanding applications of a variety of industries. This pressure gauge has a back flanged, cast aluminum case and stainless steel ring. Wetted parts are either bronze tube with brass socket or stainless steel tube and socket.

- Optional features and case style variations available: Please consult the Options & Accessories Section for details.
- For correct use and application of all pressure gauges, please refer to: Pressure Gauge Standard ASME B40.100.

Specifications

| Models | Wetted Parts |
|----------------------------|---|
| 500XB | Bronze tube, brass socket |
| 500XSS | 316 stainless steel tube and socket * |
| Dial Sizes | 4 1/2", 6", 8 1/2", 12" |
| Movement | Stainless steel |
| Connection | Lower male or lower back male, 1/4 or 1/2 NPT |
| Case | Cast aluminum, black finished, surface mounted back flanged |
| Ring | 4 1/2", 6", 8 1/2" Dial Size: Friction type, 304 stainless steel 12" Dial Size: Friction type, steel, black finished |
| Window | Clear glass |
| Pointer | 4 1/2", 6", 8 1/2" Dial Size: Micro adjustable, black finished, 12" Dial Size: Plain, black finished |
| Dial Face | Aluminum, white background with black graduations and markings |
| Accuracy | ±0.5% Full Scale, ASME B40.100 Grade 2A |
| Maximum Temperature | 250°F (121°C) |

Approximate Shipping Weight

- 4 1/2" Dial Size: 2.0 lbs [0.91 kg]
- 6" Dial Size: 2.8 lbs [1.27 kg]
- 8 1/2" Dial Size: 5.8 lbs [2.63 kg]
- 12" Dial Size: 14.6 lbs [6.62 kg]

* Ni-Span C tube and 316 stainless steel socket furnished above 10,000 psi.

HOW TO ORDER

Sample Order Number: **500XB 45 02 L A 110**

| Model | Dial Size | Connection Size | Connection Location | Units of Measure | Range Code |
|---------------|-----------|-----------------|---------------------|----------------------------|---------------------|
| 500XB | 45 4 1/2" | 02 1/4 NPT | L Lower | A psi | See Standard Ranges |
| 500XSS | 60 6" | 04 1/2 NPT | B Back | B kPa | |
| | 85 8 1/2" | | | C kg/cm ² | |
| | 12 12" | | | D psi/kPa | |
| | | | | E psi & kg/cm ² | |

Master Gauge Co.



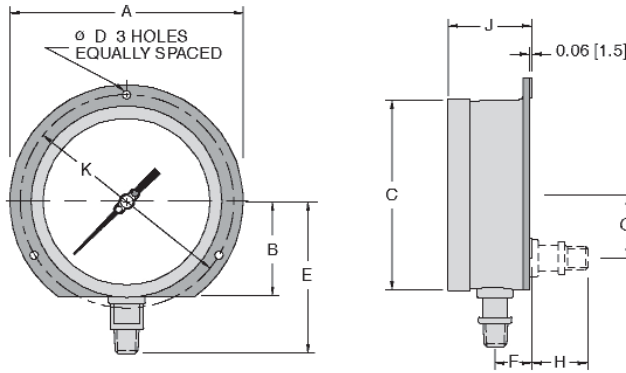
WHEN UNDER PRESSURE THINK OF US!

1150 W. GRAND AVE. CHICAGO, IL 60642 - TOLL-FREE: 1-800-259-2705 - PHONE: 1-312-666-2705 - FAX: 1-312-666-6458 - MASTERGAUGE.CO.COM

500X Series

Dial Sizes thru 12" • Cast Aluminum Case

All dimensions are nominal. Dimensions in [] are in millimeters.



| Dial Size | A | B | C | D | E | F | G | H | J | K |
|-----------|------------------|-----------------|------------------|---------------|-----------------|----------------|----------------|----------------|----------------|-----------------|
| 4 1/2" | 5.88 [149.7] | 2.39 [60.7] | 4.79 [121.7] | 0.22 [5.6] | 3.83 [97.2] | 0.94 [23.8] | 1.63 [41.3] | 1.41 [35.7] | 2.06 [52.4] | 5.38 [136.5] |
| 6" | 7.62 [193.6] | 3.14 [79.8] | 6.29 [159.8] | 0.28 [7.1] | 4.70 [119.5] | 0.93 [23.8] | 1.63 [41.3] | 1.41 [35.7] | 2.09 [53] | 7.00 [177.8] |
| 8 1/2" | 10.25 [260.4] | 4.38 [111.1] | 8.80 [223.4] | 0.28 [7.1] | 5.81 [147.5] | 0.97 [24.6] | 1.63 [41.3] | 1.41 [35.7] | 2.24 [56.8] | 9.63 [244.5] |
| 12" | 14.25 [362] | N/A | 12.66 [321.5] | 0.28 [7.1] | 7.90 [200.7] | 1.02 [25.9] | 1.63 [41.3] | 1.19 [30.2] | 2.53 [64.3] | 13.50 [343] |

INDUSTRIAL GAUGES

Standard Ranges

| psi Ranges (A) | | | | kPa Ranges (B) | | | | kg/cm ² Ranges (C) | | | |
|--|----------------------|------------------|-----------------|----------------|------------------|------------------|-----------------|-------------------------------|-----------------------------------|------------------|-----------------|
| Range Code | Specific Range (psi) | Figure Intervals | Minor Divisions | Range Code | Specific Range | Figure Intervals | Minor Divisions | Range Code | Specific Range | Figure Intervals | Minor Divisions |
| 010 | 30" Hg to 0 | 5 | 0.2 | 010 | -100 to 0 kPa | 10 | 1 | 010 | 76 cm Hg to 0 | 10 | 0.5 |
| 020 | 30" Hg to 15 psi | 5/5 | 0.5/0.2 | 020 | -100 to 100 kPa | 20 | 2 | 020 | 76 cm Hg to 1 kg/cm ² | 20/0.2 | 1/0.2 |
| 030 | 30" Hg to 30 psi | 10/5 | 1/0.5 | 030 | -100 to 200 kPa | 50 | 2 | 030 | 76 cm Hg to 2 kg/cm ² | 20/0.5 | 2/0.2 |
| 040 | 30" Hg to 60 psi | 10/10 | 1/1 | 040 | -100 to 400 kPa | 50 | 5 | 040 | 76 cm Hg to 4 kg/cm ² | 25/0.5 | 5/0.5 |
| 050 | 30" Hg to 100 psi | 30/10 | 2/1 | 050 | -100 to 700 kPa | 100 | 5 | 050 | 76 cm Hg to 7 kg/cm ² | 76/1 | 5/0.1 |
| 060 | 30" Hg to 150 psi | 30/20 | 5/2 | 060 | -100 to 1000 kPa | 100 | 10 | 060 | 76 cm Hg to 10 kg/cm ² | 76/1 | 15/0.1 |
| 070 | 30" Hg to 300 psi | 30/50 | 5/2 | 070 | -100 to 2000 kPa | 200 | 20 | 070 | 76 cm Hg to 21 kg/cm ² | 76/2 | 19/0.2 |
| 080 | 0 to 15 psi | 3 | 0.1 | 080 | 0 to 100 kPa | 10 | 1 | 080 | 0 to 1 kg/cm ² | 0.1 | 0.01 |
| 090 | 0 to 30 psi | 5 | 0.2 | 090 | 0 to 200 kPa | 20 | 2 | 090 | 0 to 2 kg/cm ² | 0.2 | 0.02 |
| 100 | 0 to 60 psi | 10 | 0.5 | 100 | 0 to 400 kPa | 50 | 5 | 100 | 0 to 4.2 kg/cm ² | 0.5 | 0.5 |
| 110 | 0 to 100 psi | 10 | 1 | 110 | 0 to 700 kPa | 100 | 5 | 110 | 0 to 7 kg/cm ² | 1 | 0.5 |
| 120 | 0 to 160 psi | 20 | 1 | 120 | 0 to 1200 kPa | 200 | 10 | 120 | 0 to 11 kg/cm ² | 1 | 0.1 |
| 130 | 0 to 200 psi | 20 | 2 | 130 | 0 to 1500 kPa | 300 | 10 | 130 | 0 to 14 kg/cm ² | 2 | 0.1 |
| 140 | 0 to 300 psi | 50 | 2 | 140 | 0 to 2000 kPa | 200 | 20 | 140 | 0 to 21 kg/cm ² | 3 | 0.2 |
| 150 | 0 to 400 psi | 50 | 5 | 150 | 0 to 3000 kPa | 300 | 20 | 150 | 0 to 28 kg/cm ² | 4 | 0.2 |
| 160 | 0 to 600 psi | 50 | 5 | 160 | 0 to 4000 kPa | 500 | 50 | 160 | 0 to 42 kg/cm ² | 6 | 0.5 |
| 180 | 0 to 1000 psi | 100 | 10 | 180 | 0 to 7000 kPa | 1000 | 50 | 180 | 0 to 70 kg/cm ² | 10 | 0.5 |
| Ranges over 1000 psi are not available on 500XB. | | | | | | | | | | | |
| 190 | 0 to 1500 psi | 300 | 10 | 190 | 0 to 10,000 kPa | 1000 | 100 | 190 | 0 to 100 kg/cm ² | 10 | 1 |
| 200 | 0 to 2000 psi | 200 | 20 | 200 | 0 to 14,000 kPa | 2000 | 100 | 200 | 0 to 140 kg/cm ² | 20 | 1 |
| 210 | 0 to 3000 psi | 300 | 20 | 210 | 0 to 20,000 kPa | 2000 | 200 | 210 | 0 to 210 kg/cm ² | 30 | 2 |
| 220 | 0 to 5000 psi | 500 | 50 | 220 | 0 to 35,000 kPa | 5000 | 250 | 220 | 0 to 350 kg/cm ² | 50 | 2 |
| 230 | 0 to 10,000 psi | 1000 | 100 | 230 | 0 to 60,000 kPa | 10,000 | 500 | 230 | 0 to 700 kg/cm ² | 100 | 10 |
| 240 | 0 to 15,000 psi | 2000 | 100 | 240 | 0 to 100,000 kPa | 20,000 | 1000 | 240 | 0 to 1000 kg/cm ² | 100 | 10 |
| 250 | 0 to 20,000 psi | 2000 | 200 | 250 | 0 to 140,000 kPa | 20,000 | 1000 | 250 | 0 to 1400 kg/cm ² | 200 | 20 |

For dual scale ranges, specify the appropriate **Units of Measure: D (psi/kPa) or E (psi & kg/cm²)** followed by the equivalent **A (psi) Range Code**. Other pressure ranges are also available including: Altitude, Ammonia, Refrigerant and Receiver. Consult Special Application Ranges section or factory for availability.

Master Gauge Co.



WHEN UNDER PRESSURE THINK OF US!

1150 W. GRAND AVE. CHICAGO, IL 60642 - TOLL-FREE: 1-800-259-2705 - PHONE: 1-312-666-2705 - FAX: 1-312-666-6458 - MASTERGAUGE.CO.COM