



'DS-M3A' TRI-CLAMP SANITARY DIAPHRAGM SEALS

Diaphragm seals are designed for use in applications where sanitary conditions and cleanliness, trash or sludge in process prevent the use of a threaded pressure gauge or diaphragm seal installation. These seals are designed for quick removal, cleaning and re-installation without the use of tools.

These diaphragm seals consist mainly of an upper housing, and a separating diaphragm. This type of seal is available in 316ss in sizes from 1/2" through 2" tri-clamp connections.

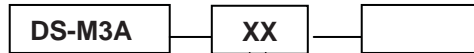
Diaphragm seal assemblies can be mated with different types of pressure instruments. Due to the type of clamp used pressure ratings are limited so it is important to know as much about the application as possible so that the correct specifications are used when selecting the diaphragm seal assembly.



NOTES:

1. The Series 'DS-M3A' are designed for Gauges Dial Sizes 1.5" and larger and are also acceptable for pressure transducer/transmitters or other small displacement instruments.
2. Standard Material of Construction: All 316 Stainless Steel (Others Available).
3. Pressure Rating is based on the clamp and gasket used with the assembly.
4. Specify thread size for instrument and Clamp Size for process connection.

Part Number System:



Model

DS-M3A Sanitary Tri-Clamp Diaphragm Seal

Special Options


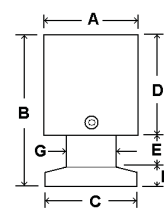

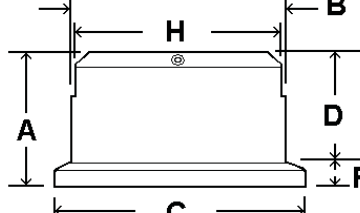
Specify Uncoded Options

Instrument Connection

1 = 1/4" NPT
2 = 1/2" NPT

Tri-Clamp Size

2 = 1/2" Tri-Clamp
3 = 3/4" Tri-Clamp
4 = 1" Tri-Clamp
6 = 1 1/2" Tri-Clamp
8 = 2" Tri-Clamp

		1/2" and 3/4" Tri-Clamp				1", 1 1/2" and 2" Tri-Clamp			
									
		A	B	C	D	E	F	G	H
1/2"	Inches	1.12"	1.48"	.99"	.93"	.30"	.24"	.54"	
	mm	28.4	37.7	25	23.8	7.73	6.11	13.8	
3/4"	Inches	1.12"	1.48"	1.13"	.93"	.34"	.19"	.75"	
	mm	28.4	37.7	28.7	23.8	8.86	4.85	19.25	
1"	Inches								
	mm								
1 1/2"	Inches	1.27"	1.68"	1.98"	1.09"		.18"		1.55"
	mm	32.3	42.55	50.5	27.7		4.6		39.42
2"	Inches	1.29"	1.93"	2.49"	1.10"		.25"		1.79"
	mm	32.8	48.95	63.44	28.1		6.34		45.5

Master Gauge Co.



WHEN UNDER PRESSURE THINK OF US!

1150 W. GRAND AVE. CHICAGO, IL 60642 - TOLL-FREE: 1-800-259-2705 - PHONE: 1-312-666-2705 - FAX: 1-312-666-6458 - MASTERGAUGE.CO.COM