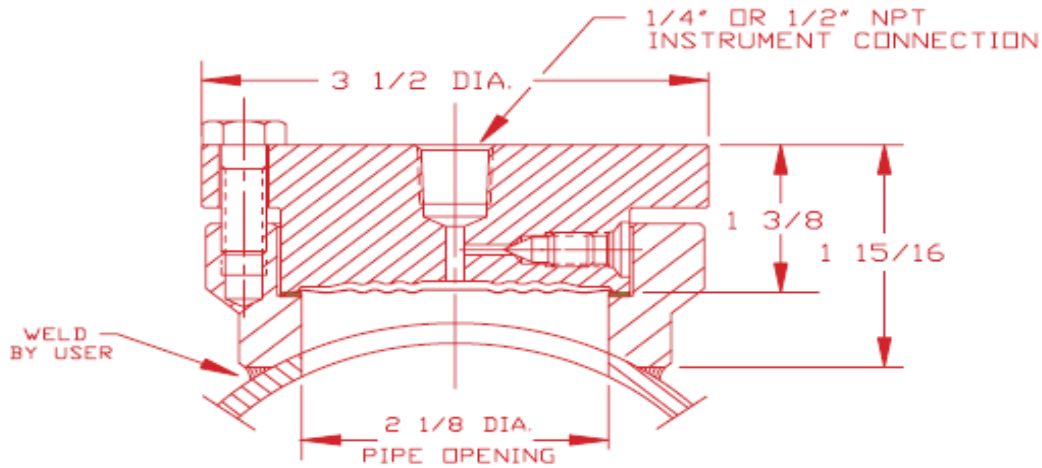




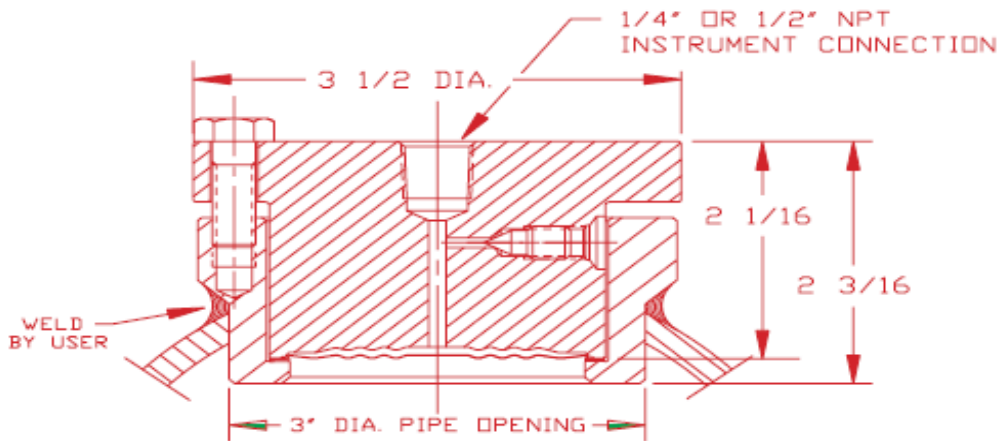
## General Application Welded Metal Diaphragm Saddle Seal Type SJ

### Model Specific Information

- ✓ **SJ** models are **inline saddle mount attached**.
- ✓ **Standard** design operation to **1,500 PSI (103 bar)** at **100°F (38°C)**.
- ✓ **Elevated pressure** design operation to **3,000 PSI (207 bar)** at **100°F (38°C)**.



(FOR 3" PIPE ONLY)  
**TYPE SJ-3**  
1500 PSI @ 100° F.  
OPTIONAL 3000 PSI @ 100° F.



FOR 4" PIPE & LARGER  
**TYPE SJ-4**  
1500 PSI @ 100° F.  
OPTIONAL 3000 PSI @ 100° F.

**Master Gauge Co.**



**WHEN UNDER PRESSURE THINK OF US!**

1150 W. GRAND AVE. CHICAGO, IL 60642 - TOLL-FREE: 1-800-259-2705 - PHONE: 1-312-666-2705 - FAX: 1-312-666-6458 - MASTERGAUGE.CO.COM

© 2009, AMETEK, Inc., All Rights Reserved.