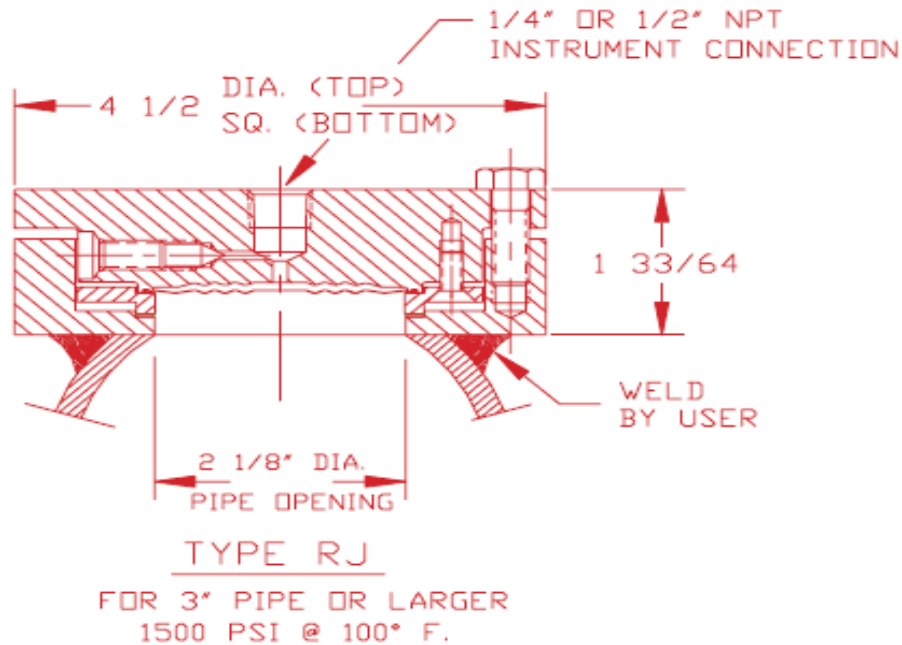




General Application Removable Metal Diaphragm Saddle Seal Type RJ

Model Specific Information

- ✓ RJ models are **inline saddle mount attached**.
- ✓ **Standard** design operation to **1,500 PSI** (103 bar) at **100°F** (38°C).



Master Gauge Co.



WHEN UNDER PRESSURE THINK OF US!

1150 W. GRAND AVE. CHICAGO, IL 60642 - TOLL-FREE: 1-800-259-2705 - PHONE: 1-312-666-2705 - FAX: 1-312-666-6458 - MASTERGAUGE.CO.COM