

FILTER TYPE PRESSURE SNUBBER

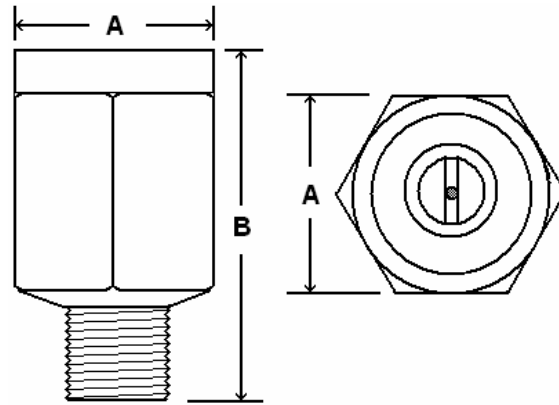
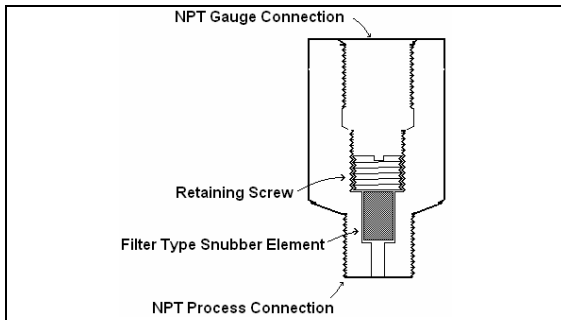
Pressure oscillations and other sudden pressure changes can affect the delicate mechanisms of a pressure gauge or pressure transmitter. This can result in either complete failure of the instrument or false and inaccurate readings. Pressure snubbers are designed to reduce or prevent these oscillations and fluctuations from reaching and affecting pressure instruments.

Pressure snubbers reduce pressure spikes only; a pressure snubber will not eliminate any prolonged overpressure. Spikes last for milliseconds only, over pressures lasting longer than that can damage the pressure sensor.

The pressure snubbers below are the “filter” type using a porous filter media made of sintered metal. Because the filter element is a fine mesh type, it should be used on processes that do not contain particulate or sludge that would clog the element. In the event that the snubber does get clogged, our snubbers can be disassembled for cleaning if necessary.





SPECIFICATIONS:

- **Connection Sizes:** 1/4" or 1/2"NPT
- **Stainless Steel or Brass**
- **Water, Air, Oil or Gas**
- **No Moving Parts – Nothing to break or wear out**
- **Pressure Rating:**
 Brass: 3,000 PSI
 Stainless Steel: 10,000 PSI



Snubber Body	Brass or 316 SS				
Retaining Screw	Brass or 316 SS				
Snubber Element	Brass or 316 SS				
Gauge Connection	1/2" or 1/4" NPT Female				
Process Connection	1/2" or 1/4" NPT Male				
		A (Inches)	B (Inches)	A (MM)	B (MM)
		1/4"NPT	.75"	1.38"	18.9mm
		1/2"NPT	1.13"	1.73"	28.5mm

Other Instrument protection accessories:

			
Piston Type Snubber	Adjustable Snubber	Needle Valve	Pressure Limiting Valve